

Cancer patients are living longer

Up to 40% will develop brain metastases

SRS is the fastest growing method for treating brain metastases



The triple-aim in optimized SRS

ZERO Margin

ZERO Harm

ZERO Delay



For almost five decades, Elekta has been a leader in precision radiation medicine.

Our nearly 4,000 employees worldwide are committed to ensuring everyone in the world with cancer has access to—and benefits from—more precise, personalized radiotherapy treatments.

North America
T +1 770 300 9725
F +1 770 448 6338



elekta.com



@elekta



/elekta



/company/elekta



Art. No. LLFIWB200327
© 2020 Elekta Group. All rights reserved.

- [1] Nicholls W, et al. Radiological kinetics of brain metastases and clinical implications for patients treated with stereotactic radiosurgery. Clin Oncol. 2019;31(1):34-40. doi:10.1016/j.clon.2018.09.005
- [2] Plunkett RJ, et al. Do brain mets grow while you wait? A volumetric history of assessment of brain metastases from time of diagnosis to gamma knife treatment. J Clin Neurosci. 2019;68:117-22. doi:10.1016/j.jocn.2019.07.019
- [3] Prasad D. Radiosurgery Now: a patient-centered approach to managing brain metastases. <https://physicsworld.com/> (2020)
- [4] Ma L, et al. Variable dose interplay effects across radiosurgical apparatus in treating multiple brain metastases. Int J Comput Assist Radiol Surg. 2014;9(6):1079-86. doi:10.1007/s11548-014-1001-4

Zero in
on brain
metastases

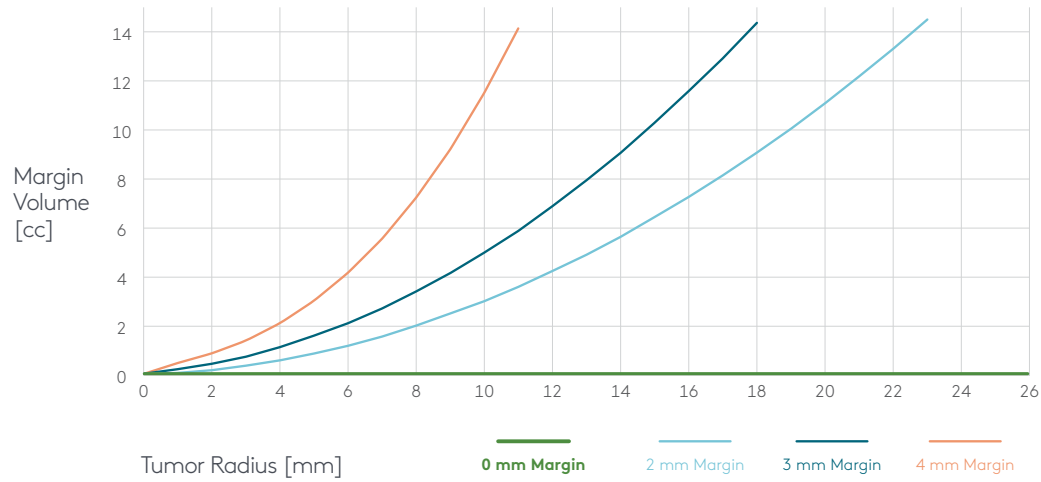
Leksell Gamma Knife® Icon™
The triple-aim in SRS

ZERO margin

PTV=GTV

Leksell Gamma Knife® provides the highest target localization accuracy available—enabling a zero-treatment-margin philosophy (PTV=GTV). Doing so spares healthy brain tissue from also receiving the prescription dose.

Turn down the volume



PTV=GTV



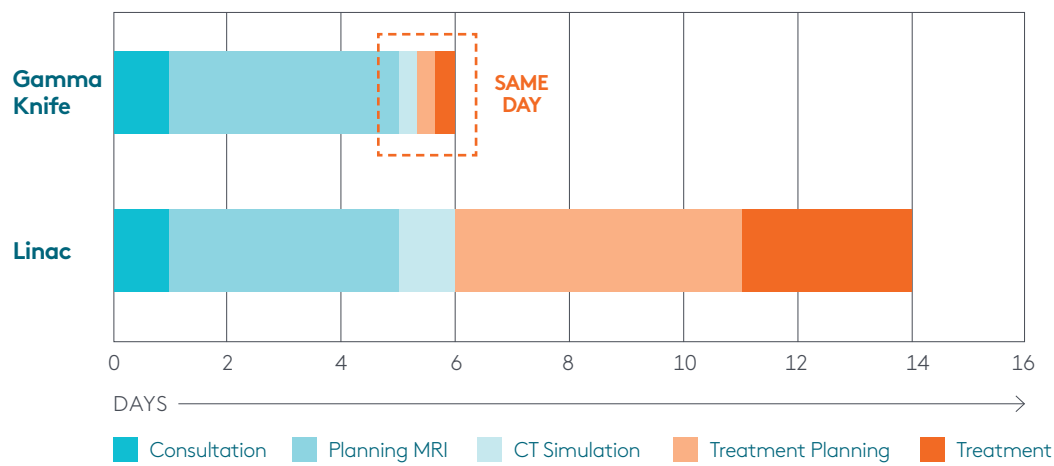
Lowering the possibility of radiation necrosis

ZERO delay

Same-day SRS

Time matters to patients, practitioners and hospitals. Same-day SRS closes the gap between imaging and treatment. This enables a rapid response for aggressive tumor types and for patients traveling long distances in search of Leksell Gamma Knife treatment.

Minimizing the time between diagnosis and treatment



Aggressive tumors can increase their volume by **50% within weeks.**

“Clinically relevant intracranial progression may occur between diagnosis, SRS planning and treatment.”¹

30% of brain mets can double in size between diagnosis and treatment.

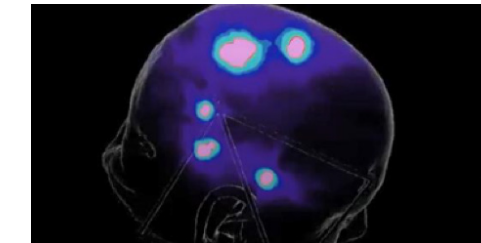
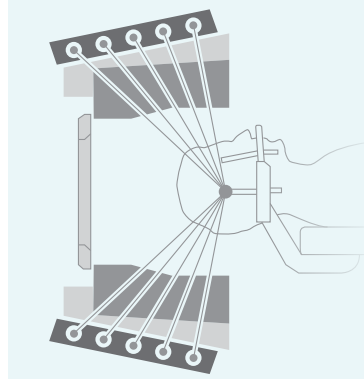
“It is imperative that we streamline the patient management process to minimize delays in treating the patient.”²

Shortening the time between diagnosis and treatment

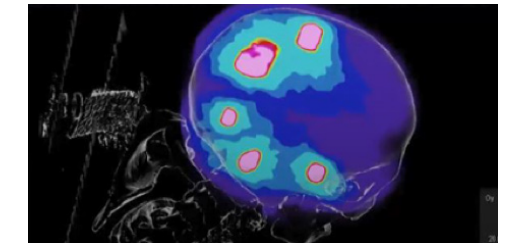
ZERO harm

192 rays of hope

Leksell Gamma Knife powerfully concentrates the prescription dose at the target and provides 2–4x better control of low-dose-wash vs competing technologies.⁴

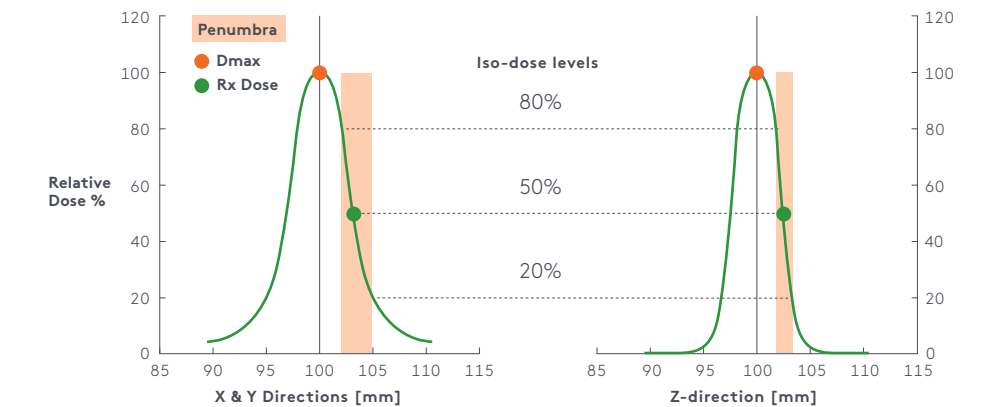


Representative dose distribution for a multiple metastases treatment plan using Gamma Knife.³



Comparative multiple isocenter treatment plan and dose distribution on a Linac.³

Dose Distribution (4 mm Collimation, Leksell Coordinate Space)



Gamma Knife dose is often prescribed to the 50% isodose level. Therefore, Dmax is a corresponding factor higher at target center combine with the rapid dose falloff in the radial and depth directions as depicted by the penumbra width above.

Minimizing the chance of neurocognitive deficit